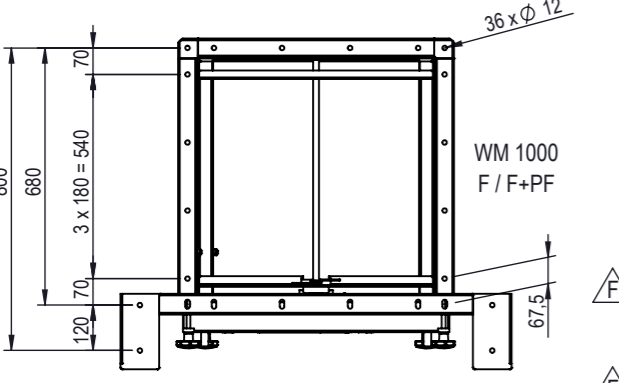
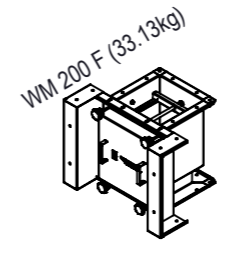
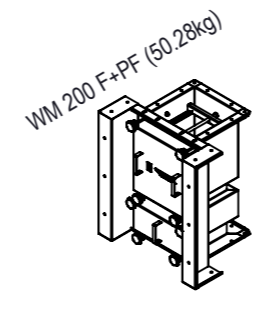
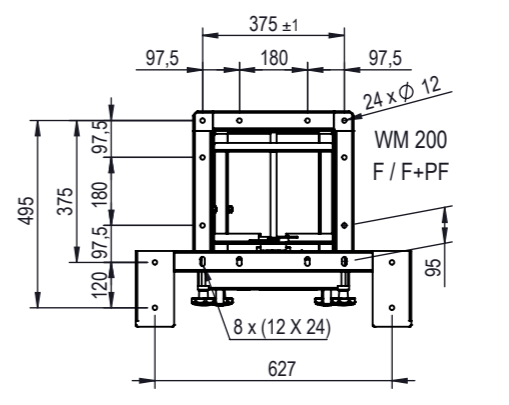
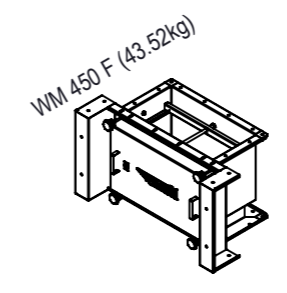
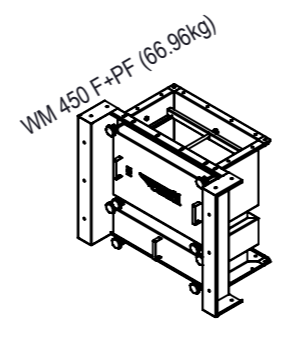
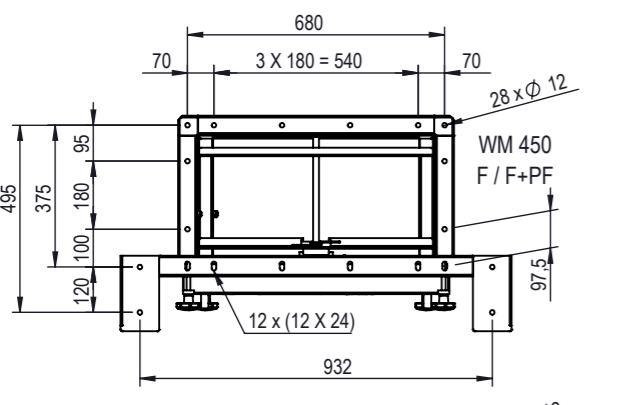
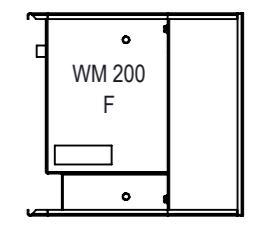
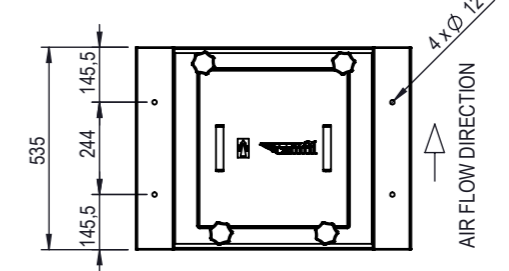
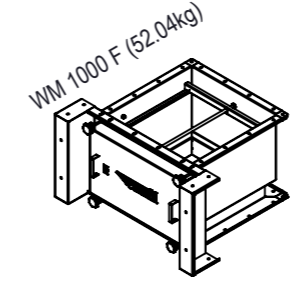
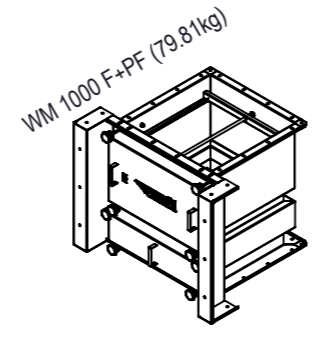
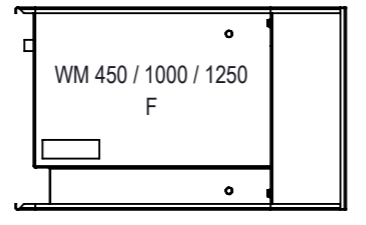
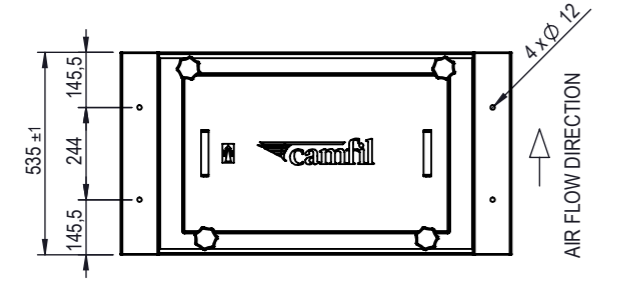
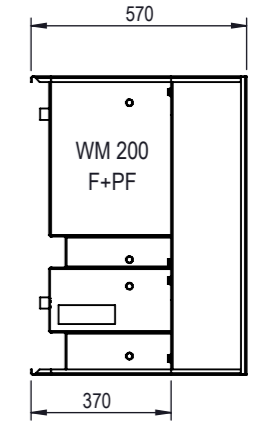
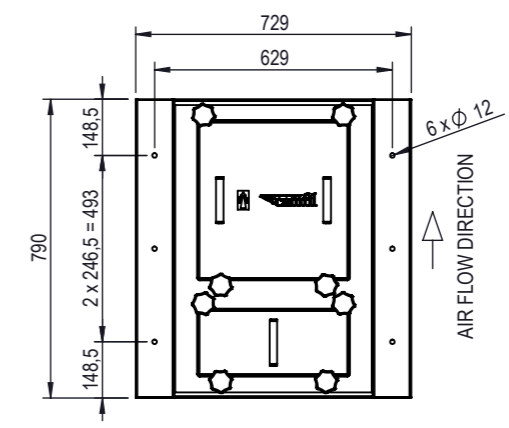
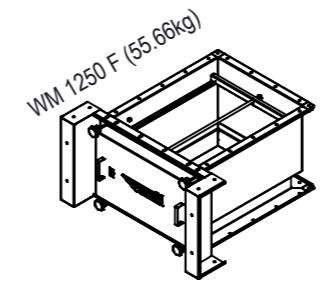
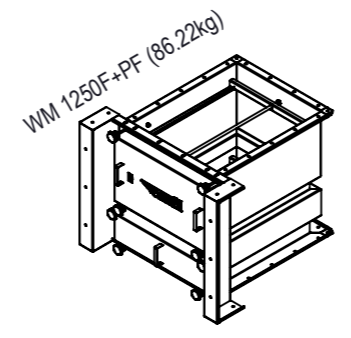
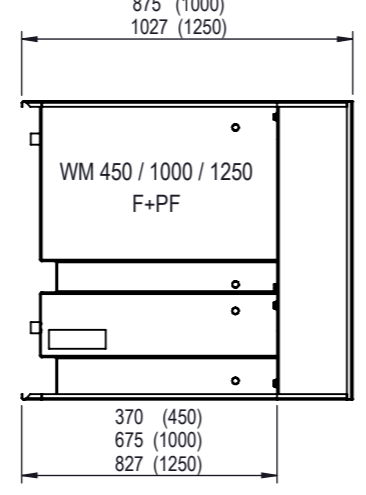
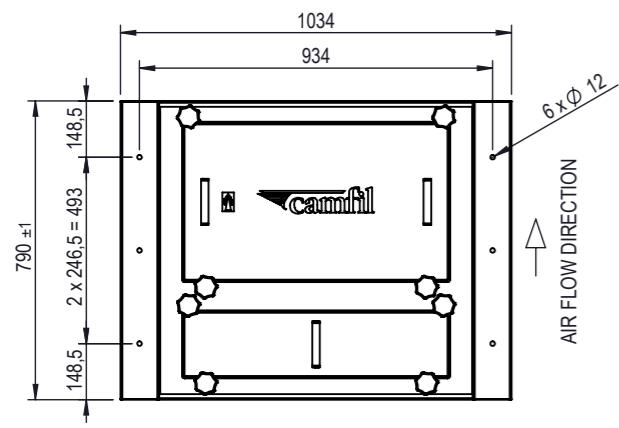


REV.	CHANGE	DATE	DESIGNED	APPROVED
F	ITEM NUMBERS CHANGE	20.08.2021	RIL	VPA



CAMSAFE WALL MOUNTED FILTER / FILTER + PREFILTER																						
CAMSAFE 2 INV WM										CAMSAFE 2 INV WM +EX												
Version	Size	Drawing	Material / Finish	Item No.	Version	Size	Drawing	Material / Finish	Item No.	Version	Size	Drawing	Material / Finish	Item No.	Version	Size	Drawing	Material / Finish	Item No.			
			Painted *	316L *	304L *	Painted *	316L *	304L *	Painted *	316L *	304L *	Painted *	316L *	304L *	Painted *	316L *	304L *	Painted *	316L *	304L *		
			1076365	1076368	1076367	1076501	1076504	1076503	1076369	1076372	1076371	1076505	1076507	1076508	1076373	1076376	1076375	1076509	1076512	1076511		
			Painted *	316L *	304L *	Painted *	316L *	304L *	Painted *	316L *	304L *	Painted *	316L *	304L *	Painted *	316L *	304L *	Painted *	316L *	304L *		
			1076405	1076408	1076407	1076541	1076544	1076543	1076409	1076412	1076411	1076545	1076548	1076547	1076416	1076415	1076549	1076552	1076551	1076417		
			NOT AVAILABLE	NOT AVAILABLE	NOT AVAILABLE	NOT AVAILABLE	NOT AVAILABLE	NOT AVAILABLE	NOT AVAILABLE	NOT AVAILABLE	NOT AVAILABLE	NOT AVAILABLE	NOT AVAILABLE	NOT AVAILABLE	NOT AVAILABLE	NOT AVAILABLE	NOT AVAILABLE	NOT AVAILABLE	NOT AVAILABLE	NOT AVAILABLE		
			Painted *	316L *	304L *	Painted *	316L *	304L *	Painted *	316L *	304L *	Painted *	316L *	304L *	Painted *	316L *	304L *	Painted *	316L *	304L *		
			1076381	1076384	1076383	1076517	1076520	1076519	1076388	1076387	1076521	1076524	1076523	1076389	1076392	1076391	1076525	1076528	1076527	1076527		
			Painted *	316L *	304L *	Painted *	316L *	304L *	Painted *	316L *	304L *	Painted *	316L *	304L *	Painted *	316L *	304L *	Painted *	316L *	304L *		
			1076421	1076424	1076423	1076557	1076560	1076559	1076425	1076428	1076427	1076561	1076564	1076563	1076429	1076432	1076431	1076565	1076568	1076567		
			Painted *										316L *					304L *				
			SHEETMETAL - EN10025-2 - S235JR(G2) (1.0038)										SHEETMETAL 316L - EN10088-2 - X2CrNiMo17-12-2+2B (1.4404)					SHEETMETAL 304L - EN10088-2 - X2CrNi18-09 (1.4307)				
			Painted RAL 9010 SPEC025										Pickled & Glass Blasted SPEC026					Pickled & Glass Blasted SPEC026				

NOTE:
SPECIAL FILTERS REQUIRED

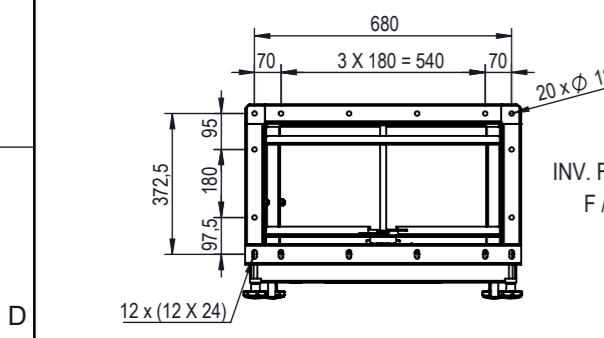
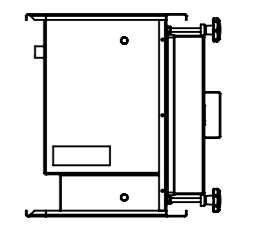
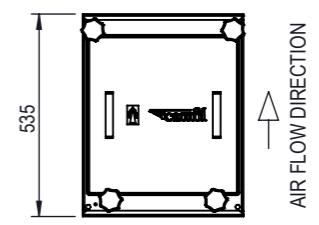
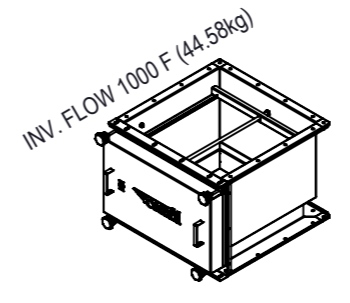
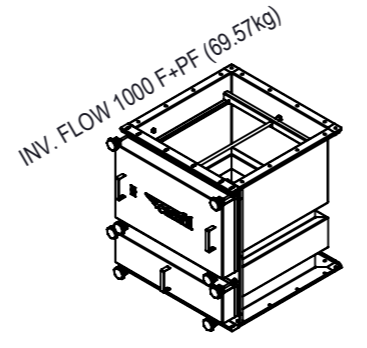
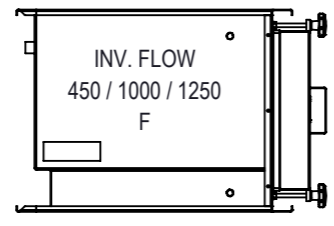
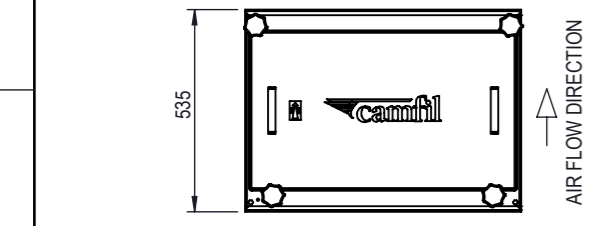
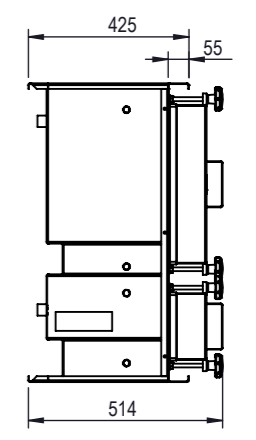
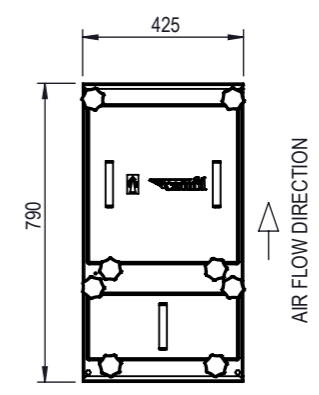
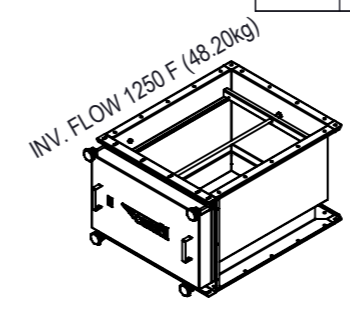
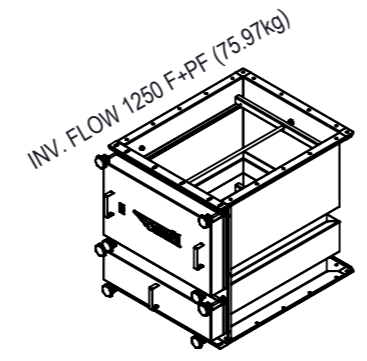
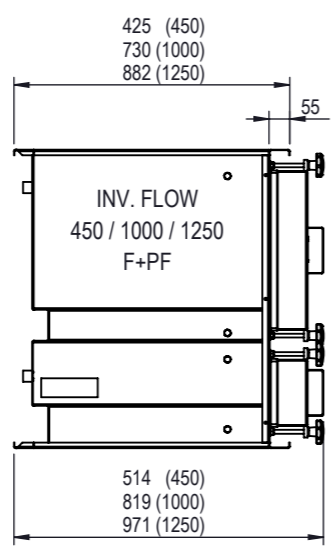
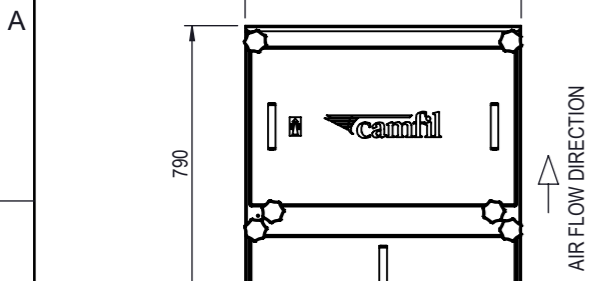
General tolerances ISO 2768 - vL unless otherwise specified	
DIMENSION	TOLERANCE
< 30	± 1
> 30 to 120	± 1,5
> 120 to 400	± 2,5
> 400 to 1000	± 4
> 1000 to 4000	± 6
> 4000	± 8
Break sharp angles 0,5 to 2	



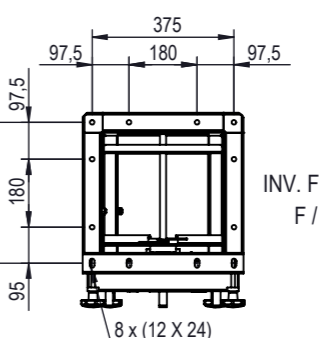
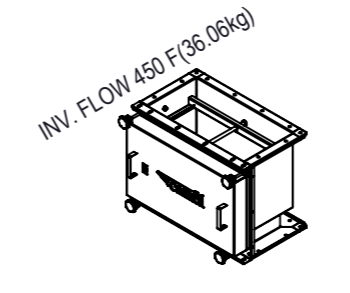
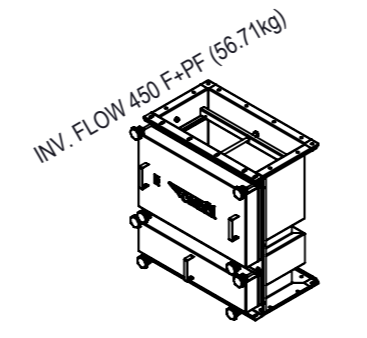
DESCRIPTION			
CamSafe CS2 WM F / F+PF STD Scope			
PROJECT	LAST REVISION	WEIGHT	
-	20.08.2021	see drawing	
DRAWING REF.	SHEET	SIZE	SCALE
5399-0000-101	1/3	A3	1:20

NB: The copyright of this drawing remains with Camfil. Contents must not be used, copied or disclosed to third parties without prior written consent. All rights reserved.

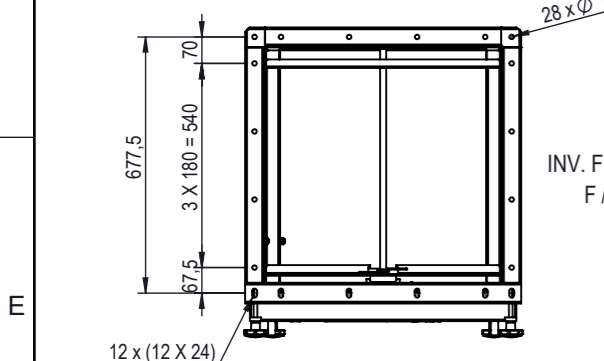
REV.	CHANGE	DATE	DESIGNED	APPROVED
F	ITEM NUMBERS CHANGE	20.08.2021	RIL	VPA



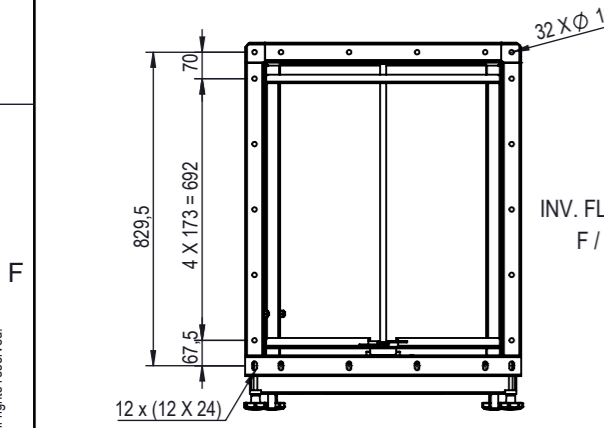
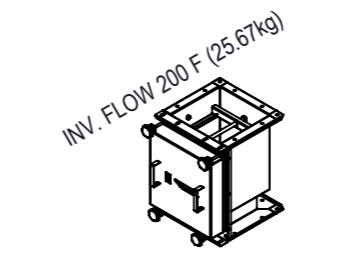
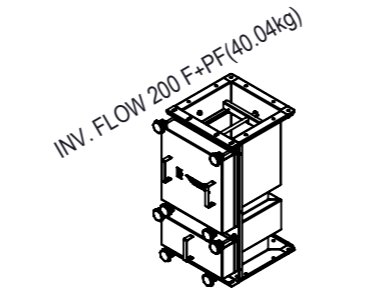
INV. FLOW 450
F / F+PF



INV. FLOW 200
F / F+PF



INV. FLOW 1000
F / F+PF



INV. FLOW 1250
F / F+PF

CAMSAFE INVERTED FLOW FILTER / FILTER + PREFILTER																								
CAMSAFE 2 INV																								
Version	200/3P3 1F			200/3P3 1F+PF			450/3P6 1F			450/3P6 1F+PF			1000/6P6 1F			1000/6P6 1F+PF			1250/7P6 1F			1250/7P6 1F+PF		
Size	200/3P3 1F			200/3P3 1F+PF			450/3P6 1F			450/3P6 1F+PF			1000/6P6 1F			1000/6P6 1F+PF			1250/7P6 1F			1250/7P6 1F+PF		
Drawing	5399-1120-000			5399-3120-000			5399-1150-000			5399-3150-000			5399-1100-000			5399-3100-000			5399-1100-003			5399-3100-003		
Material / Finish	Painted *	316L *	304L *	Painted *	316L *	304L *	Painted *	316L *	304L *	Painted *	316L *	304L *	Painted *	316L *	304L *	Painted *	316L *	304L *	Painted *	316L *	304L *	Painted *	316L *	304L *
Item No.	1076433	1076436	1076435	1076569	1076572	1076571	1076437	1076440	1076439	1068316	1076575	1076574	1076441	1076444	1076443	1076576	1076579	1076578	1076445	1076448	1076447	1076580	1076583	1076582
CAMSAFE 2 INV +EX																								
Version	200/3P3 1F			200/3P3 1F+PF			450/3P6 1F			450/3P6 1F+PF			1000/6P6 1F			1000/6P6 1F+PF			1250/7P6 1F			1250/7P6 1F+PF		
Size	200/3P3 1F			200/3P3 1F+PF			450/3P6 1F			450/3P6 1F+PF			1000/6P6 1F			1000/6P6 1F+PF			1250/7P6 1F			1250/7P6 1F+PF		
Drawing	5379-1120-003			5379-3120-003			5379-1150-003			5379-3150-003			5379-1100-003			5379-3100-003			5399-1100-003			5399-3100-003		
Material / Finish	Painted *	316L *	304L *	Painted *	316L *	304L *	Painted *	316L *	304L *	Painted *	316L *	304L *	Painted *	316L *	304L *	Painted *	316L *	304L *	Painted *	316L *	304L *	Painted *	316L *	304L *
Item No.	1076473	1076476	1076475	1076608	1076611	1076610	1076477	1076480	1076479	1076612	1076615	1076614	1076481	1076484	1076483	1076616	1076619	1076618	1076485	1076488	1076487	1076620	1076623	1076622
CAMSAFE 2 INV +W																								
Version	200/3P3 1F			200/3P3 1F+PF			450/3P6 1F			450/3P6 1F+PF			1000/6P6 1F			1000/6P6 1F+PF			1250/7P6 1F			1250/7P6 1F+PF		
Size	200/3P3 1F			200/3P3 1F+PF			450/3P6 1F			450/3P6 1F+PF			1000/6P6 1F			1000/6P6 1F+PF			1250/7P6 1F			1250/7P6 1F+PF		
Drawing	NOT AVAILABLE			NOT AVAILABLE			5399-1150-003			5399-3150-003			5399-1100-003			5399-3100-003			5399-1100-003			5399-3100-003		
Material / Finish	NOT AVAILABLE			NOT AVAILABLE			Painted *	316L *	304L *	Painted *	316L *	304L *	Painted *	316L *	304L *	Painted *	316L *	304L *	Painted *	316L *	304L *	Painted *	316L *	304L *
Item No.	NOT AVAILABLE			NOT AVAILABLE			1076449	1076452	1076451	1076584	1076587	1076586	1076453	1076456	1076455	1076588	1076591	1076590	1076457	1076459	1076592	1076595	1076594	1076594
CAMSAFE 2 INV +EX +W																								
Version	200/3P3 1F			200/3P3 1F+PF			450/3P6 1F			450/3P6 1F+PF			1000/6P6 1F			1000/6P6 1F+PF			1250/7P6 1F			1250/7P6 1F+PF		
Size	200/3P3 1F			200/3P3 1F+PF			450/3P6 1F			450/3P6 1F+PF			1000/6P6 1F			1000/6P6 1F+PF			1250/7P6 1F			1250/7P6 1F+PF		
Drawing	NOT AVAILABLE			NOT AVAILABLE			5379-1155-003			5379-3155-003			5379-1105-003			5379-3105-003			5399-1105-003			5399-3105-003		
Material / Finish	NOT AVAILABLE			NOT AVAILABLE			Painted *	316L *	304L *	Painted *	316L *	304L *	Painted *	316L *	304L *	Painted *	316L *	304L *	Painted *	316L *	304L *	Painted *	316L *	304L *
Item No.	NOT AVAILABLE			NOT AVAILABLE			1076489	1076492	1076491	1076711	1076627	1076626	1076493	1076496	1076495	1076628	1076631	1076630	1076497	1076500	1076499	1076632	1076635	1076634
Material	Painted *						316L *						304L *											
Finish	SHEETMETAL - EN10025-2 - S235JR(G2) (1.0038)						SHEETMETAL 316L - EN10088-2 - X2CrNiMo17-12-2+2B (1.4404)						SHEETMETAL 304L - EN10088 - X2CrNi18-09 (1.4307)											
	Painted RAL 9010 SPEC025						Pickled & Glass Blasted SPEC026						Pickled & Glass Blasted SPEC026											

NOTE:
SPECIAL FILTERS REQUIRED

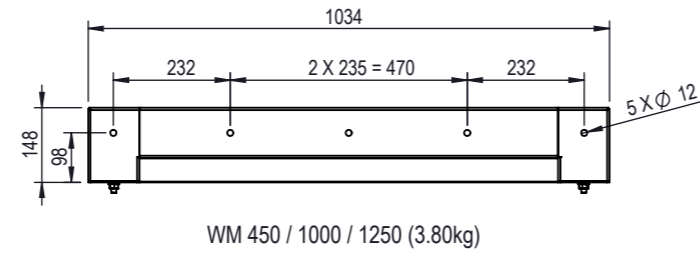
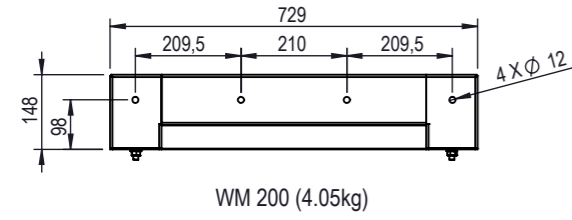
General tolerances ISO 2768 - vL unless otherwise specified	
DIMENSION	TOLERANCE
< 30	± 1
> 30 to 120	± 1,5
> 120 to 400	± 2,5
> 400 to 1000	± 4
> 1000 to 4000	± 6
> 4000	± 8
Break sharp angles 0,5 to 2	



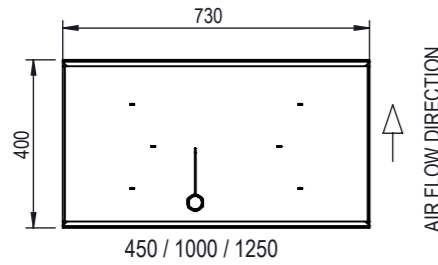
DESCRIPTION			
CamSafe CS2 F / F+PF Inv. flow STD Scope			
PROJECT	LAST REVISION	WEIGHT	
-	20.08.2021	see drawing	
DRAWING REF.	SHEET	SIZE	SCALE
5399-0000-101	2/3	A3	1:20

NB: The copyright of this drawing remains with Camfil. Contents must not be used, copied or disclosed to third parties without prior written consent. All rights reserved.

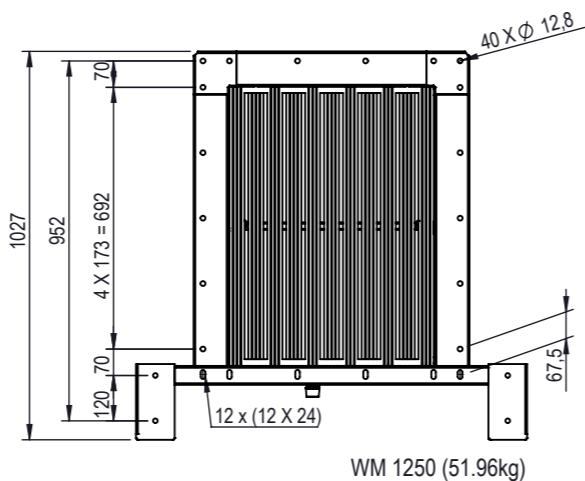
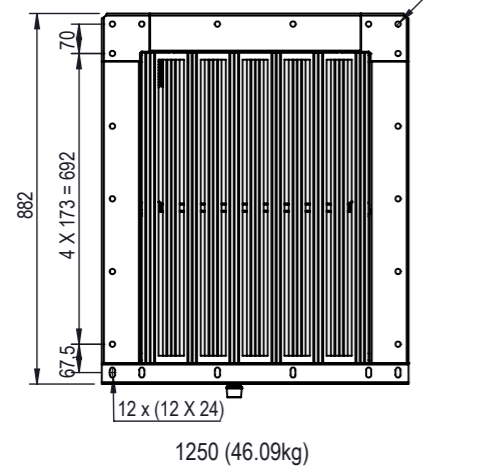
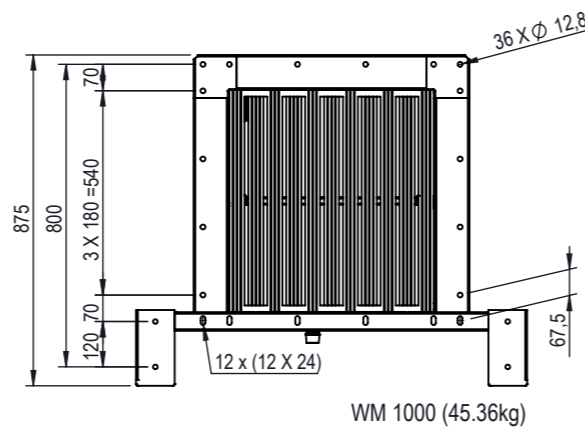
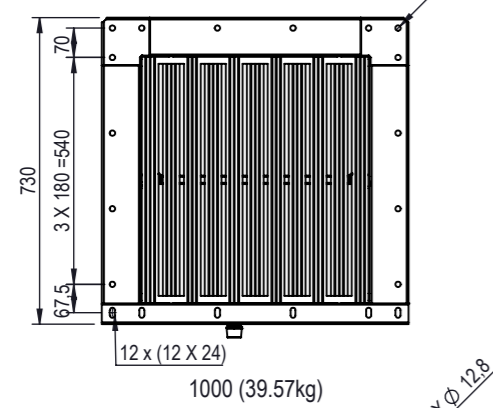
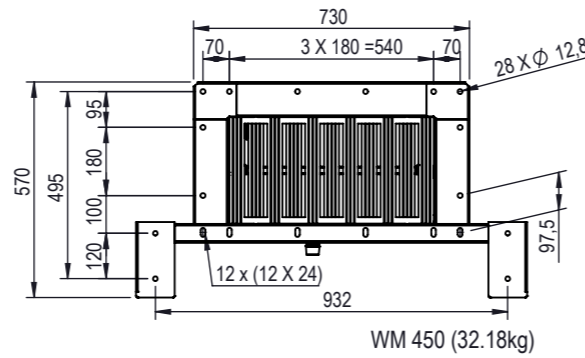
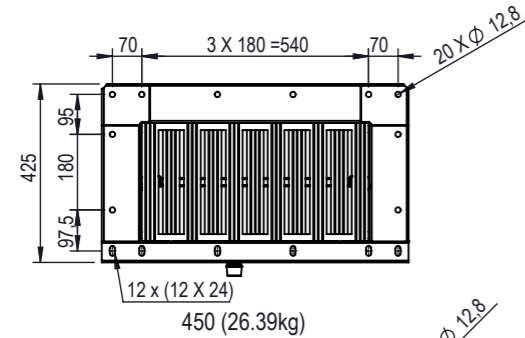
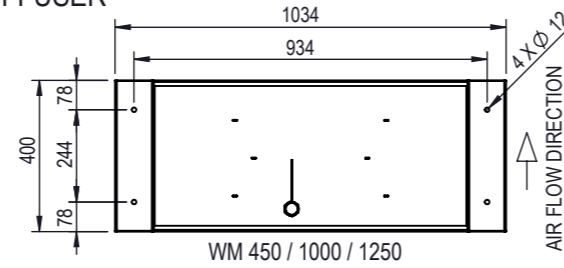
T/B WALL FLANGE END



DIFFUSER

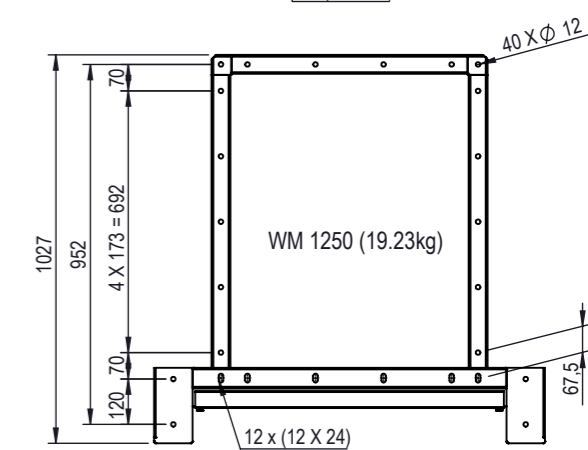
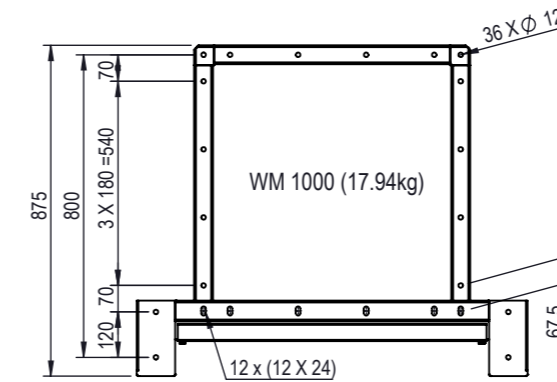
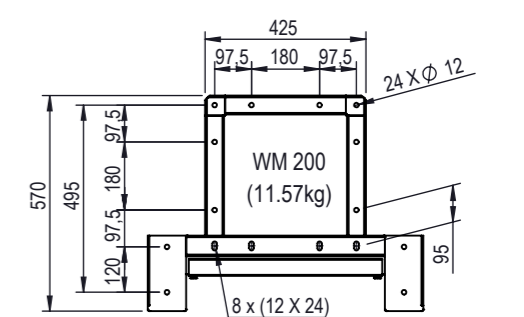
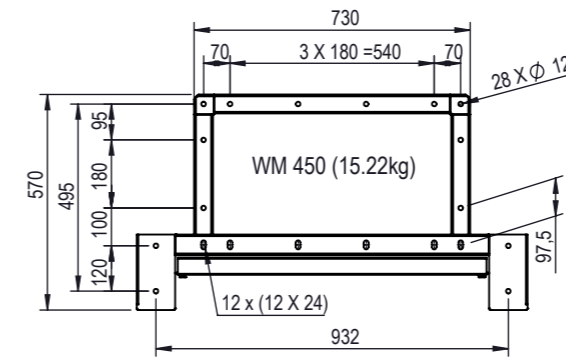
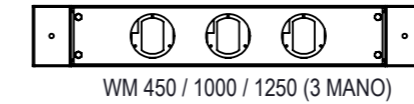
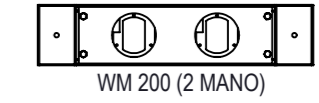
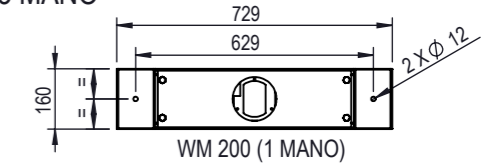
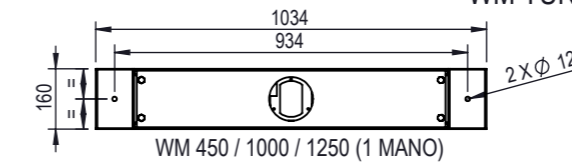


WM DIFFUSER



REV.	CHANGE	DATE	DESIGNED	APPROVED
F	ITEM NUMBERS CHANGE	20.08.2021	RIL	VPA

WM TUNNEL 1/2/3 MANO



CAMSAFE ADD-ON												
CAMSAFE 2 - PARTICLE INJ.												
Version	200/3P3			450/3P6			1000/6P6			1250/7P6		
Size	5399-1154-920			5399-1154-920			5399-1104-950			5399-1104-954		
Drawing	NOT AVAILABLE			NOT AVAILABLE			NOT AVAILABLE			NOT AVAILABLE		
Material / Finish	Painted *			Painted *			Painted *			Painted *		
Item No.	1076648	1076651	1076650	1068317	1076654	1076653	1076655	1076658	1076657			
CAMSAFE 2 WM - PARTICLE INJ.												
Version	200/3P3			450/3P6			1000/6P6			1250/7P6		
Size	5399-1154-920			5399-1154-920			5399-1104-950			5399-1104-954		
Drawing	NOT AVAILABLE			NOT AVAILABLE			NOT AVAILABLE			NOT AVAILABLE		
Material / Finish	Painted *			Painted *			Painted *			Painted *		
Item No.	1076636	1076639	1076638	1076640	1076643	1076642	1076644	1076647	1076646			
CAMSAFE 2 WM - T/B FLANGE END												
Version	200/3P3			450/3P6			1000/6P6			1250/7P6		
Size	5399-1124-900			5399-1124-900			5399-1104-900			5399-1104-913		
Drawing	NOT AVAILABLE			NOT AVAILABLE			NOT AVAILABLE			NOT AVAILABLE		
Material / Finish	Painted *			Painted *			Painted *			Painted *		
Item No.	1076707	1076710	1076709	1076624			1076714		1076713			
CAMSAFE 2 WM TUNNEL 1/2/3 MANO												
Version	200/3P3			450/3P6			1000/6P6			1250/7P6		
Size	5399-1124-905			5399-1154-905			5399-1104-905			5399-1104-913		
Drawing	NOT AVAILABLE			NOT AVAILABLE			NOT AVAILABLE			NOT AVAILABLE		
Material / Finish	Painted *			Painted *			Painted *			Painted *		
Item No. 1 MANO	1076659	1076662	1076661	1076671	1076674	1076673	1076683	1076686	1076685	1076695	1076698	
Item No. 2 MANO	1076663	1076666	1076665	1076675	1076678	1076677	1076687	1076690	1076689	1076702	1076701	
Item No. 3 MANO	1076667	1076670	1076669	1076679	1076682	1076681	1076691	1076694	1076693	1076706	1076705	
Material	Painted *			Painted *			Painted *			Painted *		
Finish	SHEETMETAL - EN10025-2 - S235JR(G2) (1.0038)			SHEETMETAL - EN10088-2 - X2CrNiMo17-12-2-2B (1.4404)			SHEETMETAL 304L - EN10088 - X2CrNi18-09 (1.4307)			SHEETMETAL 304L - EN10088 - X2CrNi18-09 (1.4307)		
	Painted RAL 9010 SPEC025			Pickled & Glass Blasted SPEC026			Pickled & Glass Blasted SPEC026			Pickled & Glass Blasted SPEC026		

General tolerances ISO 2768 - vL unless otherwise specified	
DIMENSION	TOLERANCE
< 30	± 1
> 30 to 120	± 1,5
> 120 to 400	± 2,5
> 400 to 1000	± 4
> 1000 to 4000	± 6
> 4000	± 8
Break sharp angles 0,5 to 2	



DESCRIPTION			
CamSafe CS2 Inverted Flow Add-On			
PROJECT	20.08.2021	LAST REVISION	WEIGHT
-	20.08.2021	see drawing	see drawing
DRAWING REF.	5399-0000-101	SHEET	SCALE
		3/3	A3 1:20

NB: The copyright of this drawing remains with Camfil. Contents must not be used, copied or disclosed to third parties without prior written consent. All rights reserved.